

- 1
- 2
- 3
- 4
- 5
- 6
- 7
- 8**
- 9
- 10
- 11
- 12
- 13
- 14
- 15
- 16
- 17
- 18

**TYPE**

- Type L: with L-handle

**IDENTIFICATION**

- **SC**: with key (keyed alike)  
- **SU**: with key (keyed differently)

Plunger pin / Pawl  
AISI 303 stainless steel **NI**

L-Handle  
Polyamide based (PA) technopolymer  
- black colour  
- temperature resistant up to 80 °C

Lock mechanism  
Die-cast zinc alloy / Stainless Steel

Key (two pieces)  
Steel, nickel plated

**FEATURES AND APPLICATIONS**

GN 314 stainless steel locking pins are generally used for quick fixing and connecting machining parts and components without the need for tools. Turning the key 180° moves the pawl at the front end of the pin to engage the locking of the pin. After locking, unauthorized removal is no longer possible. The key can be removed in both end positions.

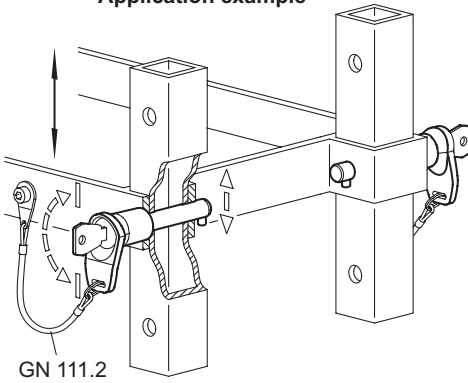
Locks with coding SC are keyed alike, allowing each lock to be operated with the same key. Locks with coding SU have different locks with 100 different lock versions and correspondingly numbered keys.

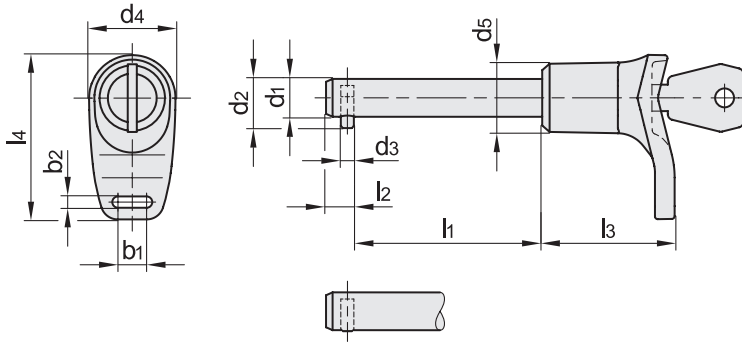
**ACCESSORIES**

- Ball chains GN 111 (see page )  
- Retaining cables GN 111.2 (see page )  
- Spiral retaining cables GN 111.4 (see page )



**Application example**





Conversion Table 1 mm = 0.039 inch	
d1	
mm	inch
8	0.31
10	0.39
12	0.47
16	0.63
20	0.78

GN 314-SC

GN 314-SU

INOX STAINLESS STEEL METRIC

Code	Description	Code	Description	d1-0.05	d2	d3	d4	d5	l1+0.5	l2±1	l3	l4	b1	b2	Double sided shearing force [KN]		
GN.12371	GN 314-8-20-L-SC-NI	GN.12372	GN 314-8-20-L-SU-NI	8	9.5	3	23	18	20	4.5	35	43.5	7.5	3	30	47	
GN.12373	GN 314-8-25-L-SC-NI	GN.12374	GN 314-8-25-L-SU-NI	8	9.5	3	23	18	25	4.5	35	43.5	7.5	3	30	49	
GN.12375	GN 314-8-30-L-SC-NI	GN.12376	GN 314-8-30-L-SU-NI	8	9.5	3	23	18	30	4.5	35	43.5	7.5	3	30	51	
GN.12377	GN 314-8-35-L-SC-NI	GN.12378	GN 314-8-35-L-SU-NI	8	9.5	3	23	18	35	4.5	35	43.5	7.5	3	30	53	
GN.12379	GN 314-8-40-L-SC-NI	GN.12380	GN 314-8-40-L-SU-NI	8	9.5	3	23	18	40	4.5	35	43.5	7.5	3	30	55	
GN.12381	GN 314-8-50-L-SC-NI	GN.12382	GN 314-8-50-L-SU-NI	8	9.5	3	23	18	50	4.5	35	43.5	7.5	3	30	62	
GN.12383	GN 314-10-20-L-SC-NI	GN.12384	GN 314-10-20-L-SU-NI	10	12.6	3	23	18	20	4.5	35	43.5	7.5	3	46	37	
GN.12385	GN 314-10-25-L-SC-NI	GN.12386	GN 314-10-25-L-SU-NI	10	12.6	3	23	18	25	4.5	35	43.5	7.5	3	46	37	
GN.12387	GN 314-10-30-L-SC-NI	GN.12388	GN 314-10-30-L-SU-NI	10	12.6	3	23	18	30	4.5	35	43.5	7.5	3	46	59	
GN.12389	GN 314-10-35-L-SC-NI	GN.12390	GN 314-10-35-L-SU-NI	10	12.6	3	23	18	35	4.5	35	43.5	7.5	3	46	62	
GN.12391	GN 314-10-40-L-SC-NI	GN.12392	GN 314-10-40-L-SU-NI	10	12.6	3	23	18	40	4.5	35	43.5	7.5	3	46	65	
GN.12393	GN 314-10-50-L-SC-NI	GN.12394	GN 314-10-50-L-SU-NI	10	12.6	3	23	18	50	4.5	35	43.5	7.5	3	46	71	
GN.12395	GN 314-10-60-L-SC-NI	GN.12396	GN 314-10-60-L-SU-NI	10	12.6	3	23	18	60	4.5	35	43.5	7.5	3	46	77	
GN.12411	GN 314-12-30-L-SC-NI	GN.12412	GN 314-12-30-L-SU-NI	12	14.6	4	23	18	30	6	35	43.5	7.5	3	74	69	
GN.12413	GN 314-12-35-L-SC-NI	GN.12414	GN 314-12-35-L-SU-NI	12	14.6	4	23	18	35	6	35	43.5	7.5	3	74	73	
GN.12415	GN 314-12-40-L-SC-NI	GN.12416	GN 314-12-40-L-SU-NI	12	14.6	4	23	18	40	6	35	43.5	7.5	3	74	77	
GN.12417	GN 314-12-50-L-SC-NI	GN.12418	GN 314-12-50-L-SU-NI	12	14.6	4	23	18	50	6	35	43.5	7.5	3	74	86	
GN.12419	GN 314-12-60-L-SC-NI	GN.12420	GN 314-12-60-L-SU-NI	12	14.6	4	23	18	60	6	35	43.5	7.5	3	74	95	
GN.12421	GN 314-12-70-L-SC-NI	GN.12422	GN 314-12-70-L-SU-NI	12	14.6	4	23	18	70	6	35	43.5	7.5	3	74	104	
GN.12423	GN 314-12-80-L-SC-NI	GN.12424	GN 314-12-80-L-SU-NI	12	14.6	4	23	18	80	6	35	43.5	7.5	3	74	112	
GN.12441	GN 314-16-30-L-SC-NI	GN.12442	GN 314-16-30-L-SU-NI	16	19.7	5	35.5	28	30	7.5	40.5	65	12	4	136	141	
GN.12443	GN 314-16-35-L-SC-NI	GN.12444	GN 314-16-35-L-SU-NI	16	19.7	5	35.5	28	35	7.5	40.5	65	12	4	136	151	
GN.12445	GN 314-16-40-L-SC-NI	GN.12446	GN 314-16-40-L-SU-NI	16	19.7	5	35.5	28	40	7.5	40.5	65	12	4	136	156	
GN.12447	GN 314-16-50-L-SC-NI	GN.12448	GN 314-16-50-L-SU-NI	16	19.7	5	35.5	28	50	7.5	40.5	65	12	4	136	171	
GN.12449	GN 314-16-60-L-SC-NI	GN.12450	GN 314-16-60-L-SU-NI	16	19.7	5	35.5	28	60	7.5	40.5	65	12	4	136	187	
GN.12451	GN 314-16-70-L-SC-NI	GN.12452	GN 314-16-70-L-SU-NI	16	19.7	5	35.5	28	70	7.5	40.5	65	12	4	136	204	
GN.12453	GN 314-16-80-L-SC-NI	GN.12454	GN 314-16-80-L-SU-NI	16	19.7	5	35.5	28	80	7.5	40.5	65	12	4	136	218	
GN.12471	GN 314-20-60-L-SC-NI	GN.12472	GN 314-20-60-L-SU-NI	20	23.7	5	35.5	28	60	7.5	40.5	65	12	4	227	247	
GN.12473	GN 314-20-80-L-SC-NI	GN.12474	GN 314-20-80-L-SU-NI	20	23.7	5	35.5	28	80	7.5	40.5	65	12	4	227	295	
GN.12475	GN 314-20-100-L-SC-NI	GN.12476	GN 314-20-100-L-SU-NI	20	23.7	5	35.5	28	100	7.5	40.5	65	12	4	227	344	
GN.12477	GN 314-20-120-L-SC-NI	GN.12478	GN 314-20-120-L-SU-NI	20	23.7	5	35.5	28	120	7.5	40.5	65	12	4	227	396	



Indexing and positioning elements